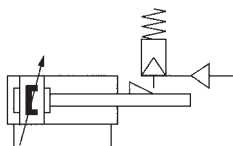


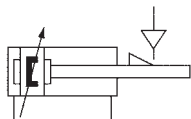
Pneumatic cylinders series XLBS

Series XL with brake system BS

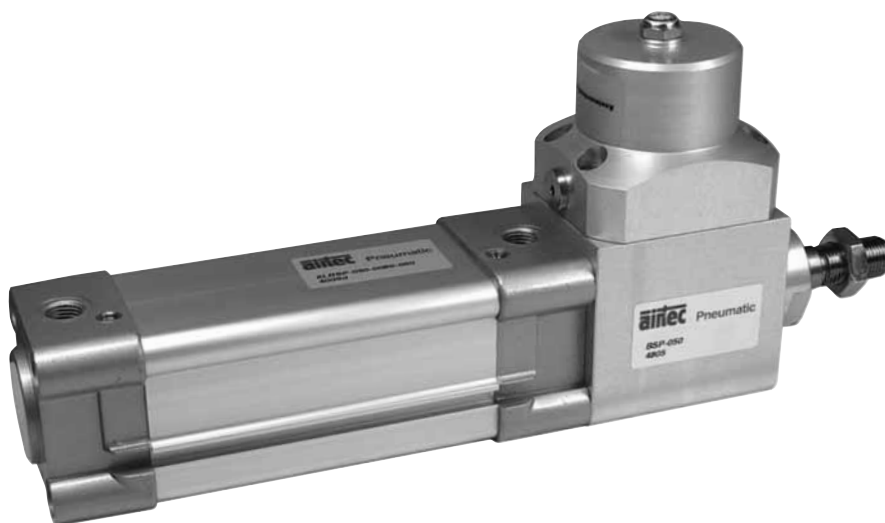
Piston Ø 32 – 125 mm, double acting with magnetic piston



XLBSP



XLBSA



Order code

XLBSP-032-0250-050

Series

XLBSA = with active brake system
 XLBSP = with passive brake system

Piston Ø

Stroke length
(mm)

Type for order code

050 – standard
(steel piston-rod, chromium plated)

Design and function

Double acting Al-profile cylinder with adjustable cushions and permanent magnet. Includes an extended piston rod and a pneumatic-hydraulic brake system which is mounted onto the cylinder. The brake system is designed to hold a cylinders position by clamping onto the piston rod. The brake should only be applied at piston rod speeds of 0.2 m/s or lower. The brake unit is available as either active or passive. The active brake clamps or releases the piston rod when the air pilot port is pressurized. The passive brake remains clamped onto the piston rod and releases only after the pilot port is pressurized. Both versions are available with an optional pressure switch in order to get an electrical signal output.

Please note: The brake forces indicated are only valid for static applications. The XLBS series can only be supplied with the chromium plated steel piston rod (version -050). The XLBS series is not suitable for use as a dynamic brake.

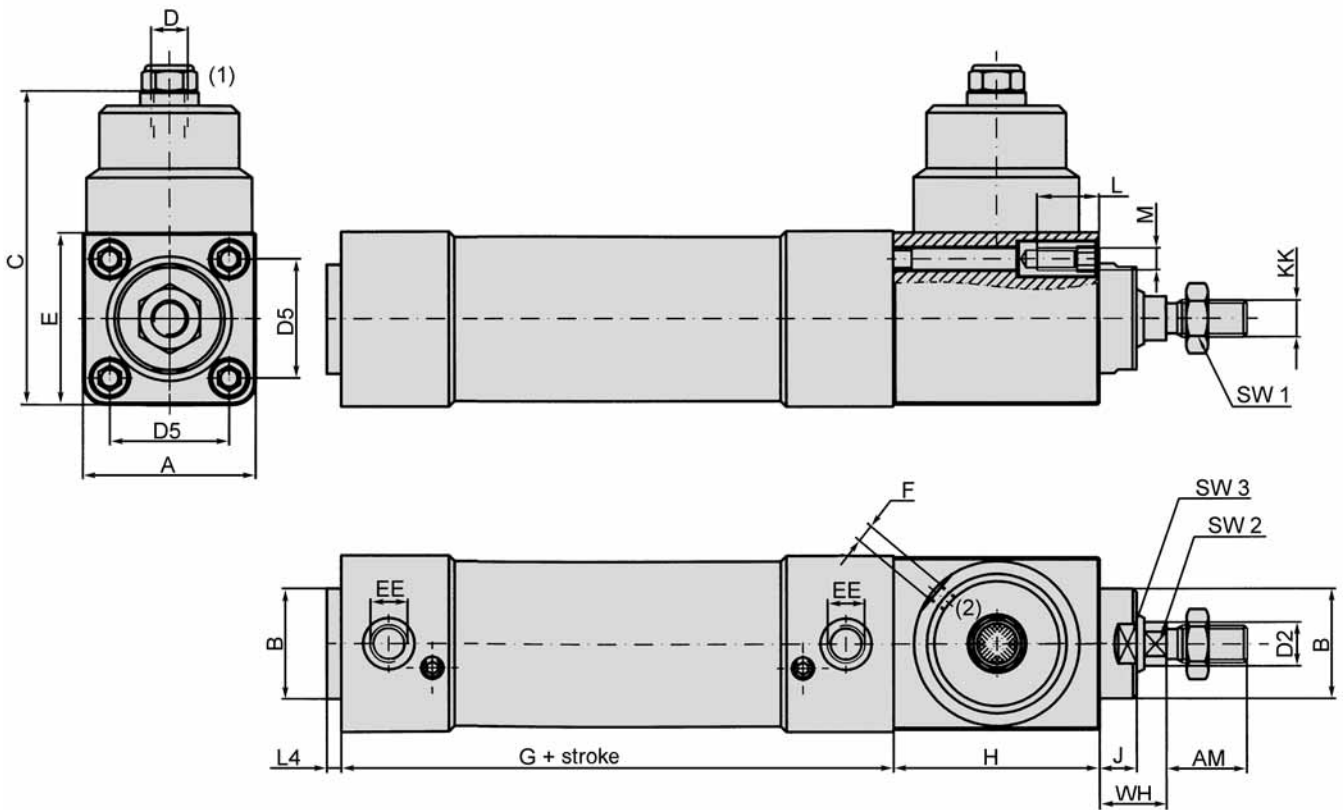
Order number Please complete according to order code.	XLBS... ...-032	XLBS... ...-040	XLBS... ...-050	XLBS... ...-063	XLBS... ...-080	XLBS... ...-100	XLBS... ...-125
Piston Ø (mm)	32	40	50	63	80	100	125
Force at 6 bar* (87 psi)							
Extension (N)	430	680	1060	1680	2700	4240	6630
Retraction (N)	370	570	890	1510	2550	3970	6200
Active brake system							
Clamp force at 3 bar (43.5 psi) (N)	500	1000	1600	2500	3500	6000	9500
Clamp force at 4 bar (58 psi) (N)	1000	1500	2500	3000	4000	8000	13500
Clamp force at 5 bar (72.5 psi) (N)	1500	1700	3700	4000	5000	11000	17500
Clamp force at 6 bar (87 psi) (N)	2000	2200	4000	4500	6000	13000	20000
Passive brake system							
Clamp force (N)	600	1000	1900	2500	3800	6000	9000
Release pressure	min. 4.5 bar (65.25 psi)						
Temperature range	- 10 °C ... + 50 °C (+14 °F ... +122 °F)						
Operating pressure	Cylinder 1 ... 8 bar (14.5 ... 116 psi), brake system 3 to max. 6 bar (43.5 to max. 87 psi)						
Medium	filtered/lubricated or filtered/non-lubricated air						
Standard stroke lengths	10 ... 2800 mm						
Materials	Cylinder tube: Al-profile (anodized) End caps: Al-die-cast (painted) Piston rod: chromium-plated (standard) Seals: PU/NBR/PTFE/EPDM Brake: Al (anodized), bronze						

*The internal friction is considered.

Pneumatic cylinders series XLBS

Series XL with brake system BS

Piston Ø 32 – 125 mm, double acting with magnetic piston



Series XLBSP

- (1) Exhaust of spring chamber, with muffler.
- (2) Port to release the brake.

Series XLBSA

- (1) Port to pressurize the brake.
- (2) Port to release the brake.

Piston Ø	A	AM	Ø B	C	D	Ø D2	D5	E	EE	F	G
32	47	22	30	103	G1/8	12	32.5	47	G1/8	M5	94
40	52	24	35	108	G1/8	16	38	52	G1/4	M5	105
50	65	32	40	130	G1/8	20	46.5	70.5	G1/4	G1/8	106
63	74	32	45	137	G1/8	20	56.5	77	G3/8	G1/8	121
80	95	40	45	155	G1/8	25	72	95	G3/8	G1/8	128
100	115	40	55	170	G1/8	25	89	115	G1/2	G1/8	138
125	138	54	60	193	G1/8	32	110	138	G1/2	G1/8	160
		-2	e11			f7					

Piston Ø	H*	J	KK	L	L4	M	SW1	SW2	SW3	WH
32	56	10	M10 x 1.25	17	4	M6	17	10	28	26
40	62	10	M12 x 1.25	17	4	M6	19	13	32	30
50	74	20	M16 x 1.5	20	4	M8	24	17	36	37
63	74	20	M16 x 1.5	20	4	M8	24	17	41	37
80	95	20	M20 x 1.5	22	4	M10	30	22	42	46
100	115	15	M20 x 1.5	22	4	M10	30	22	50	51
125	138	20	M27 x 2	25	6	M12	41	28	50	65
					-1					

*Is equivalent to the desired piston rod extension.
Further dimensions see series XL.